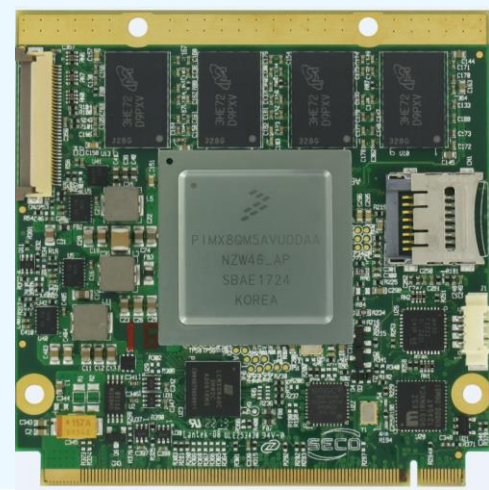
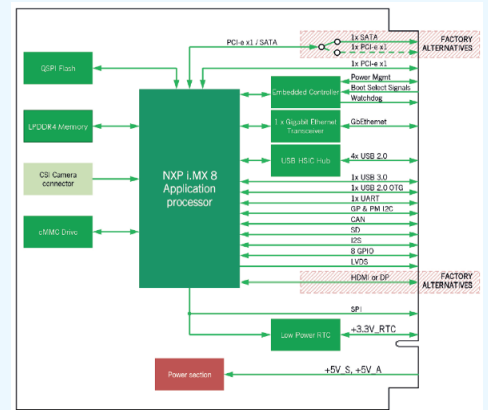


Product Name: Q7-C26



Highlights	<ul style="list-style-type: none"> • Advanced multimedia • Rich m2m interface to control onboard subsystems • Wide connectivity
Part Number	Q7-C26
Main Fields of Application	<ul style="list-style-type: none"> • Biomedical/Medical devices • Digital Singnage - Infotainment • Vending • Industrial Automation and Control • Smart Vision
Processor	<p>NXP i.MX8 Family:</p> <ul style="list-style-type: none"> • i.MX 8QuadMax - 2x Cortex®-A72 cores + 4x Cortex®-A53 cores + 2x Cortex®-M4F cores
Max Cores	4
Memory	Soldered Down LPDDR4-3200 memory, 64-bit interface
Graphics	<p>Integrated Graphics Processing Unit, supports 2 independent displays.</p> <p>Embedded VPU, supports HW decoding of HEVC/H.265, AVC/H.264, MPEG-2, VC-1, RV9, VP8, H.263 and MPEG4 part, HW encoding of AVC/H.264</p> <p>Supports OpenGL ES 3.1, Open CL 1.2, OpenGL 3.x, DirectX 11</p>
Video Interface	<p>HDMI 2.0a or DP 1.3 interface, supporting HDCP 2.2</p> <p>Dual Channel or 2 x Single Channel 18- / 24-bit LVDS interface</p>
Video Resolution	<p>HDMI: Up to 4Kp60</p> <p>LVDS: Up to 1080p</p>



Mass Storage	1x SATA Gen3 interface (alternative to 1x PCI-e x1 port) eMMC 5.1 drive soldered on-board SD 4-bit interface
Networking	1 x Gigabit Ethernet interface
USB	4 x USB 2.0 Host Ports 1 x USB 3.0 Host Port 1 x USB 2.0 OTG port
PCI-e	Up to 2x PCI-e x1 Gen3 ports
Audio	I2S Audio Interface
Serial Ports	1x UART Tx/Rx/RTS/CTS 1x CAN Bus (TTL level)
Power Supply	+5VDC •} 5%
Operating System	Linux Android
Operating Temperature	0°C - +60°C (Commercial version) -40°C - +85°C (Industrial version)
Dimensions	70 x 70 mm (2.76" x 2.76")