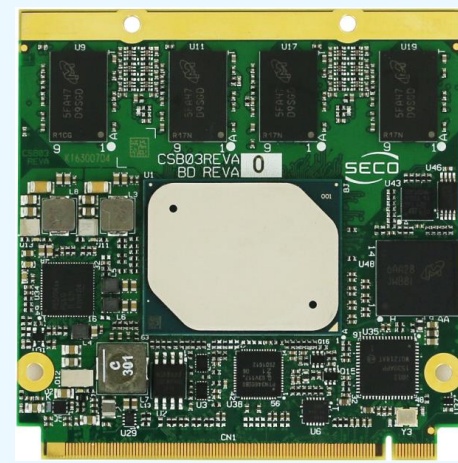
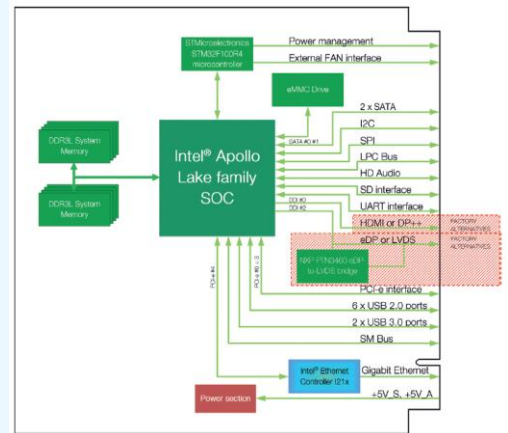


Product Name: Q7-B03



Highlights	<ul style="list-style-type: none"> • Compliant to the most recent Qseven® rel. 2.1 specs • 4K HW decoding and encoding of HEVC(H.265), H.264, VP8, SVC, MVC • Extreme graphics for low power embedded applications • Industrial grade and connectivity capable • Support for the most popular operating systems
Part Number	Q7-B03
Main Fields of Application	<ul style="list-style-type: none"> • Internet of Things • Biomedical/Medical Devices • Digital signage - Infotainment • HMI • Automotive • Gaming • Industrial • Visual Computing • Mobile Devices • Multimedia Devices
Processor	<p>Intel® Atom™ x5-E3930 Dual Core @1.3 GHz (Burst 1.8GHz), 2MB L2 Cache, 5.5W TDP</p> <p>Intel® Atom™ x5-E3940 Quad Core @1.6 GHz (Burst 1.8GHz), 2MB L2 Cache, 9W TDP</p> <p>Intel® Atom™ x7-E3950 Quad Core @1.6 GHz (Burst 2.0GHz), 2MB L2 Cache, 12W TDP</p> <p>Intel® Pentium® N4200 Quad Core @1.1GHz (burst 2.5GHz), 2MB L2 Cache, 6W TDP</p> <p>Intel® Celeron® N3350 Dual Core @1.1GHz (burst 2.4GHz), 2MB L2 Cache, 6W TDP</p>
Max Cores	4
Memory	Dual Channel Soldered Down DDR3L-1866 memory, up to 8GB
Graphics	Integrated Gen9-LP Graphics controller, with 18 Execution Units 4K HW decoding and encoding of HEVC(H.265), H.264, VP8, SVC, MVC
Video Interface	eDP interface or Single/Dual Channel 18/24bit LVDS interface through eDP-to-LVDS bridge HDMI or DP++ interface
Video Resolution	HDMI, eDP: Up to 3840 x 2160 (4K) DP++: Up to 4096 x 2160 LVDS: Up to 1920 x 1200



Mass Storage	2 x external S-ATA Gen3 Channel SD interface Optional eMMC drive soldered onboard
Networking	Gigabit Ethernet interface Intel® I210 or I211 Controller (MAC + PHY)
USB	6 x USB 2.0 Host Ports 2 x USB 3.0 Host Ports
PCI-e	4 x PCI-e Root Ports (including the PCI-e port used for Gigabit Ethernet controller)
Audio	HD Audio interface
Serial Ports	1 x UART, TTL interface
Power Supply	+5VDC @ 5%
Operating System	Microsoft® Windows 10 Enterprise (64 bit) Microsoft® Windows 10 IoT Core Linux (64 bit) Yocto (64 bit)
Operating Temperature	0°C - +60°C (Commercial version) -40°C - +85°C (Industrial version)
Dimensions	70 x 70 mm (2.76" x 2.76")